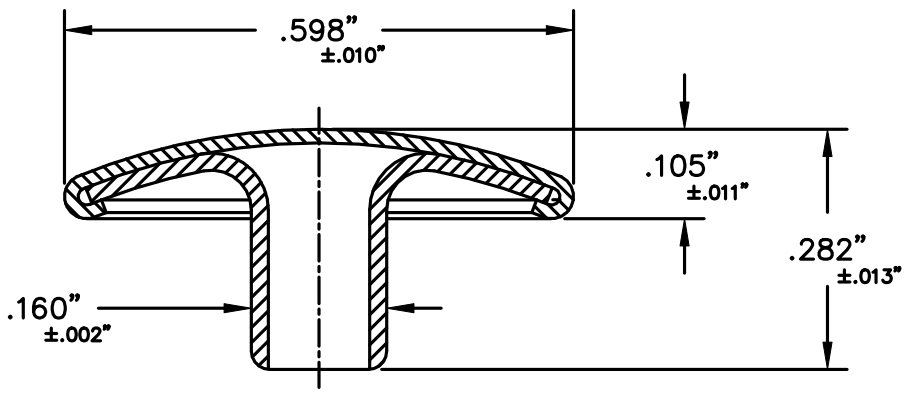
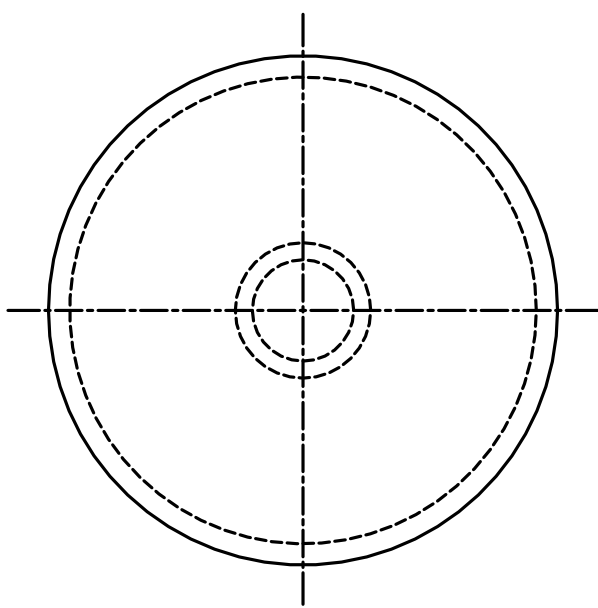


Remarks

ASSEMBLY OF A3649 EYELET AND D4542 CAP STYLE 2,
 SIZE 1, CONSTRUCTION "B" DRAWING NO. 4-1-176
 REV 5, SPEC. NO. MIL-F-10884D DATED 5 MAY 1971,
 AND 24 LINE BUTTON (SIZE 1) OF MILITARY STANDARD
 MS 27980 REV C DATED 28 JUNE 1974

PDC	03-33
SURFACE AREA	

PRINTED COPIES ARE UNCONTROLLED



HOLE SIZE
 BEFORE FINISHING: $.123^{+0.000}_{-0.002}$

TOLERANCES:- DECIMALS $\pm .005$ "
 Unless otherwise specified. FRACTIONS $\pm .008$ "
 ANGLES $\pm 1/2$ "

B	WAS A2300	9/8/14	OFF.	RF
A	REDRAWN WITH CHANGES 4/4/88	7/24/97	OFF.	
NO.	ALTERATION	DATE	BY	APP'D

1515 SW 13TH CT POMPANO BEACH, FL 33069

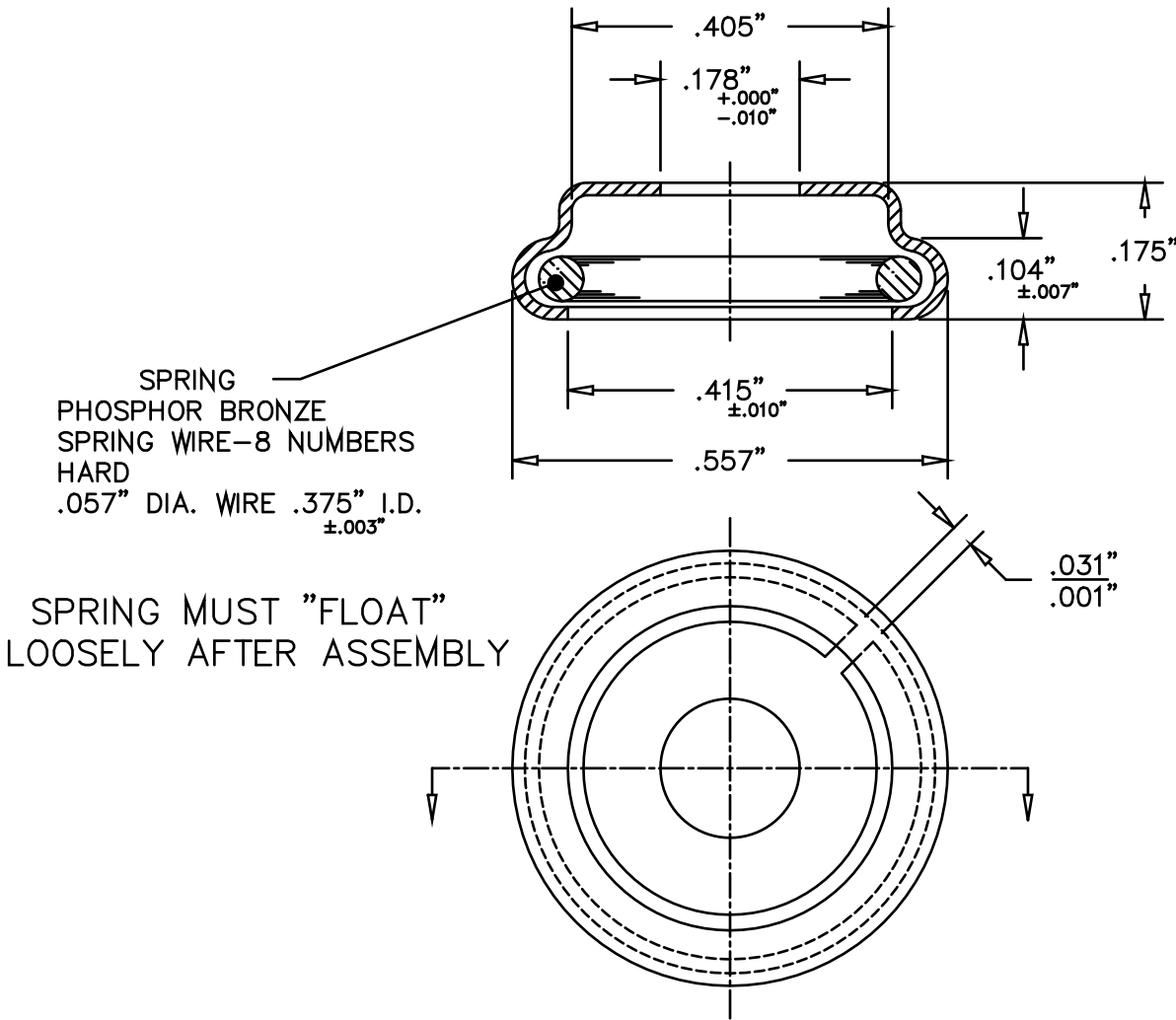
PART NAME: CAPPED EYELET
 MATERIAL: 70/30 BRASS SIZE: CAP .016"
 EYE. .016"
 SCALE: 4=1 DEPT: SEC. OP.

DRAWN: J.A.Y. CHECKED: L.T. APP'D: B.F.
 DATE: 7.24.97 DATE: 7.24.97 DATE: 7.24.97

PART No. D4543

Remarks MADE FROM D4544 WITH 4541 RING
 "STYLE 2, CONSTRUCTION "B" DRAWING NO.4-1-176
 REV. 5, SPEC. NO. MIL-F-10884 D DATED 5 MAY 1971,
 MS PART NO. MS 27980-6 OF MILITARY STANDARD
 MS 27980 REV. C DATED 28 JUNE 1974"
 SAME AS D5004 EXCEPT MADE FROM BRASS

PDC	03-31
SURFACE AREA	





SPRING
 PHOSPHOR BRONZE
 SPRING WIRE-8 NUMBERS
 HARD
 .057" DIA. WIRE .375" I.D.
 ±.003"

SPRING MUST "FLOAT"
 LOOSELY AFTER ASSEMBLY

TOLERANCES:- DECIMALS ±.005"
 Unless otherwise specified. FRACTIONS ±.008"
 ANGLES ±1/2°

A	REDRAWN WAS 8/7/61	3/19/88	OFF.	
NO.	ALTERATION	DATE	BY	APP'D

 **Stimpson** 
 CO. INC.
 1515 SW 13TH CT POMPANO BEACH, FL 33069

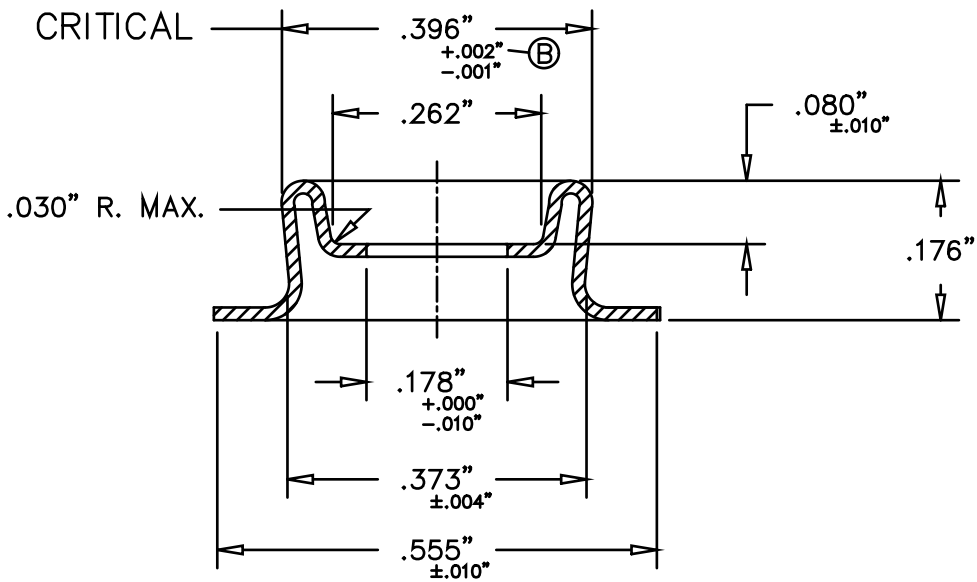
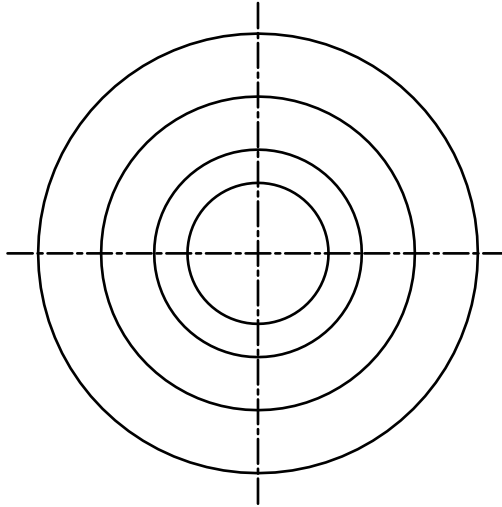
PART NAME: SOCKET
 MATERIAL: 70/30 BRASS (BODY) SIZE: .016"
 SCALE: 4=1 DEPT: SEC. OP.

DRAWN: L.TOLENTINO	CHECKED: B.F.	APP'D: R.F.B.
DATE: 3.19.88	DATE: 3.22.88	DATE: 3.23.88

PART No. D4511

Remarks "STYLE 2, CONSTRUCTION "B" DRAWING NO.4-1-176 REV.
 5 SPEC. NO. MIL-F-10884 D DATED 5 MAY 1971, MS
 PART NO. MS 27980-7 OF MILITARY STANDARD MS 27980
 REV C DATED 28 JUNE 1974".
 SAME AS D5005 EXCEPT MADE FROM BRASS

PDC	03-32
SURFACE AREA	



TOLERANCES:- DECIMALS ±.005"
 Unless otherwise specified. FRACTIONS ±.008"
 ANGLES ±1/2°

B	WAS +.003"	10/17/90	OFF.	RFB
A	REDRAWN WAS 2/13/62	3/19/88	OFF.	
NO.	ALTERATION	DATE	BY	APP'D

Stimpson
 CO. INC.
 1515 SW 13TH CT POMPANO BEACH, FL 33069

PART NAME:	STUD
MATERIAL:	70/30 BRASS
SIZE:	.016"
SCALE:	4=1
DEPT:	PW. PR.

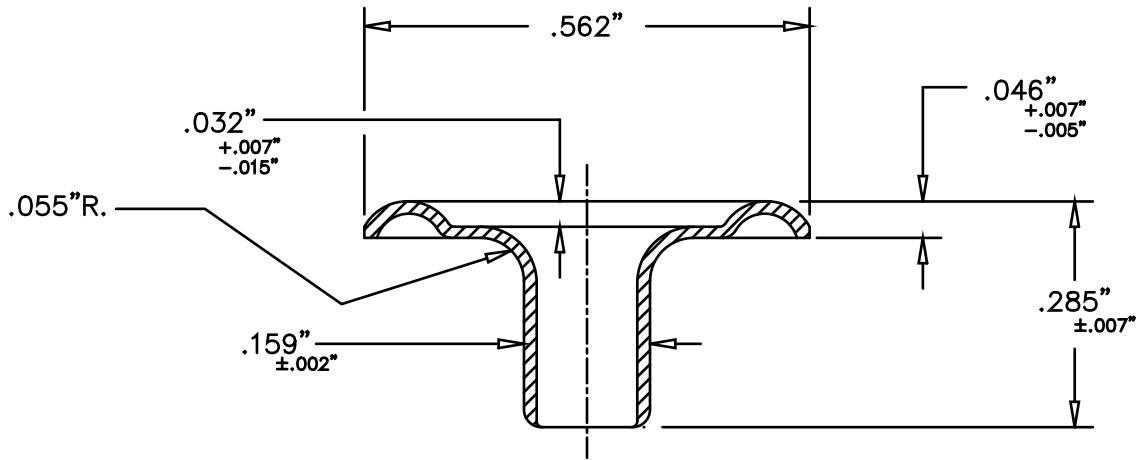
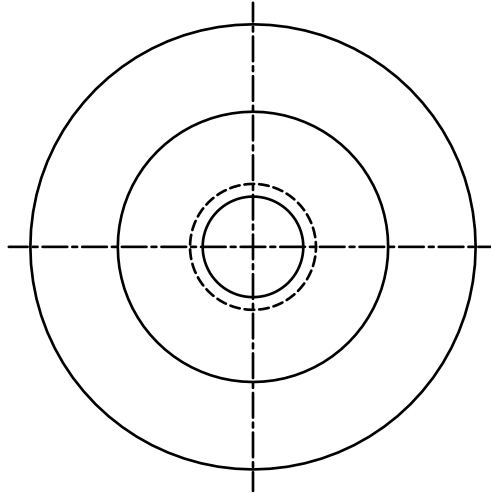
DRAWN: J.A.Y.	CHECKED: B.F.	APP'D: R.F.B.	PART No. D4547
DATE: 3.19.88	DATE: 3.22.88	DATE: 3.23.88	

Remarks

ALSO KNOWN AS A2091
EYELET, STYLE 2, SIZE 1, CONSTRUCTION "B" DWG. NO.4

PDC	03-33
SURFACE AREA	

1-176 REV. 5 DATED 25 JAN. 1972, SPEC. MIL-F-10884D DATED 5 MAY 1971 & PART NO. MS27980-8 OF MILITARY STANDARD MS 27980 REV. C DATED 28 JUNE 1974.



HOLE SIZE
BEFORE FINISHING: .128"
+ .000"
- .002"

POST

TOLERANCES:- DECIMALS ±.005"
Unless otherwise specified. FRACTIONS ±.008"
ANGLES ±1/2°

A	REDRAWN, WAS 4/7/77	11/20/90	OFF.	
NO.	ALTERATION	DATE	BY	APP'D



Stimpson



CO. INC.

1515 SW 13TH CT POMPANO BEACH, FL 33069

PART NAME:	POST
MATERIAL:	70/30 BRASS
SIZE:	.016"
SCALE:	4=1
DEPT:	PW. PR.

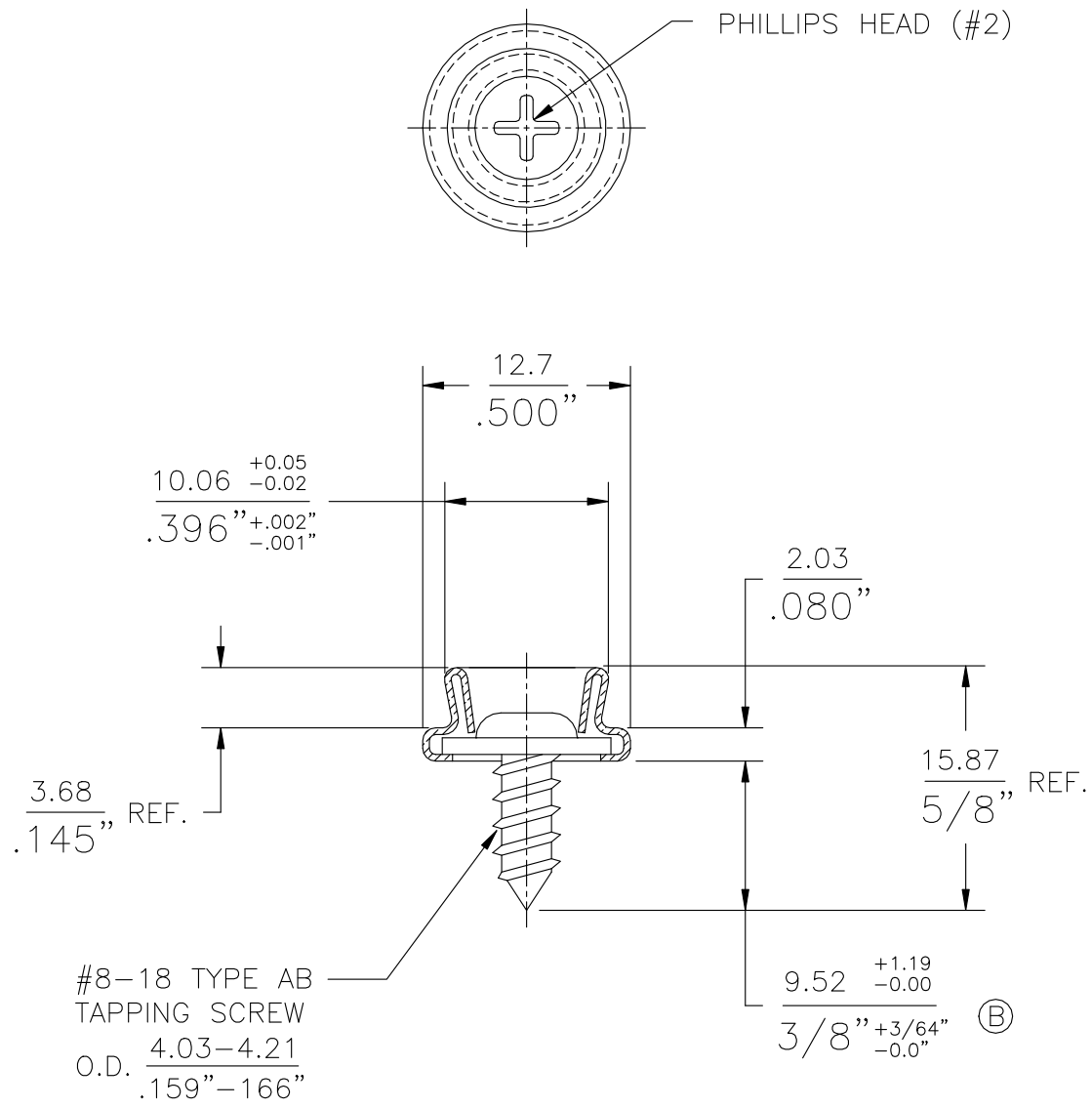
DRAWN: J.A.Y.	CHECKED: B.F.	APP'D: R.F.B.
DATE: 11.20.90	DATE: 1.4.91	DATE: 1.22.91

PART No. D4629

Remarks

PDC	03-40
SURFACE AREA	

PRINTED COPIES ARE UNCONTROLLED



MILLIMETER ; MILLIMETER / INCH
INCH

TOLERANCES: -DECIMALS 0.13 / ±.005"
Unless otherwise specified. FRACTIONS 0.20 / ±.008"
ANGLES ±1/2"

C	ADDED MILLIMETERS	6.07.17	OFF.	BT
B	WAS, +1/32"	11.12.14	OFF.	JC
A	REDRAWN WITH CHANGES 3.20.00	6.18.14	OFF.	RF
NO.	ALTERATION	DATE	BY	APP'D

1515 SW 13TH CT POMPANO BEACH, FL 33069

PART NAME:	SCREW STUD
MATERIAL:	70/30 BRASS - STUD STAINLESS STEEL - SCREW
SIZE:	
SCALE:	2=1
DEPT:	MERCH.

DRAWN: L.T.	CHECKED: R.F.	APP'D: J.C.
DATE: 6.18.14	DATE: 6.18.14	DATE: 6.18.14

PART No. D5755