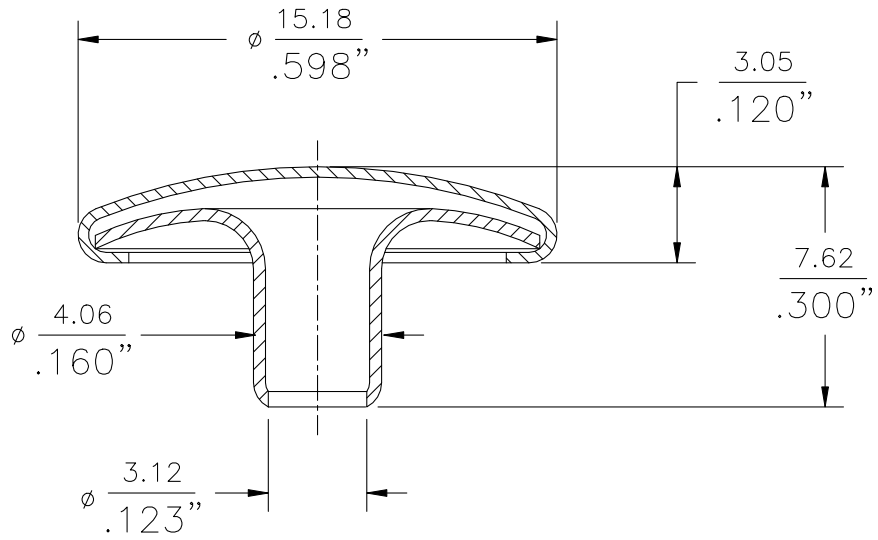
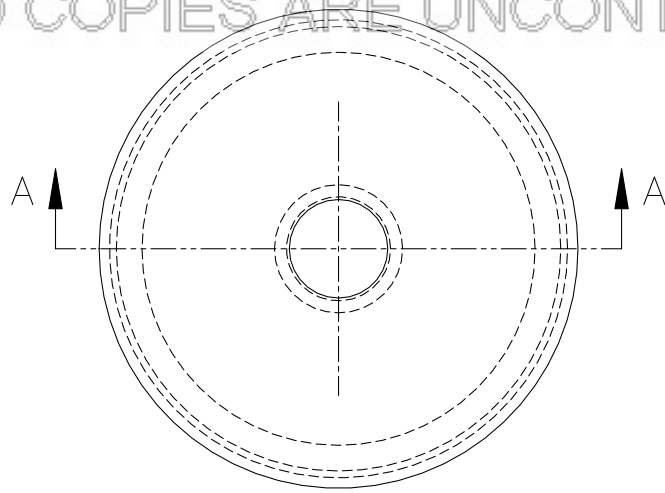


Remarks

PDC	03-30
SURFACE AREA	

PRINTED COPIES ARE UNCONTROLLED



SECTION A-A


	MATERIAL	SIZE
EYELET	304 STAINLESS STEEL	0.38/.015"
CAP	304 STAINLESS STEEL	0.33/.013"

MILLIMETER ; MILLIMETER / INCH  
INCH

TOLERANCES: -DECIMALS 0.13 / ±.005"

Unless otherwise specified. FRACTIONS 0.20 / ±.008"  
ANGLES ±1/2°

NO.	ALTERATION	DATE	BY	APP'D



**Stimpson**  
CO. INC.

1515 SW 13TH CT POMPANO BEACH, FL 33069

PART NAME: CAPPED EYELET

MATERIAL: SEE TABLE      SIZE: SEE TABLE

SCALE: 4:1      DEPT: MERCH.

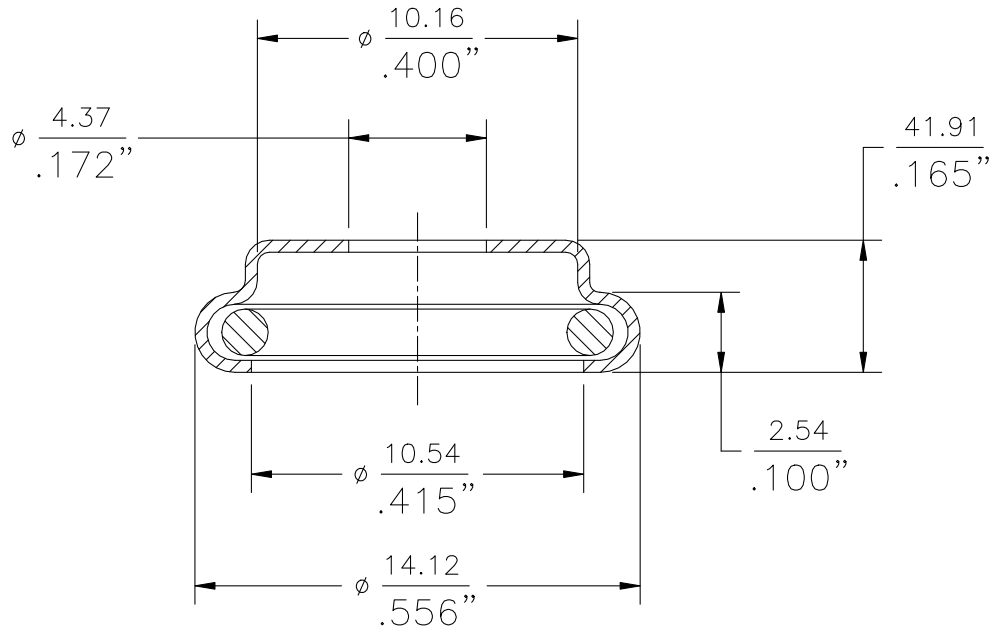
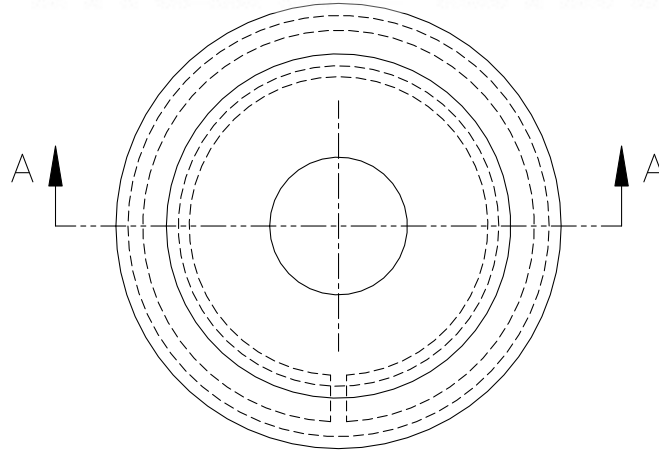
DRAWN: L.TOLENTINO	CHECKED: B.T.	APP'D: J.C.
DATE: 11.27.17	DATE: 11.28.17	DATE: 11.28.17

PART No. SCA200

Remarks

PDC	03-31
SURFACE AREA	

PRINTED COPIES ARE UNCONTROLLED




SECTION A-A

MILLIMETER ; MILLIMETER / INCH  
INCH

TOLERANCES: -DECIMALS 0.13 /  $\pm .005''$   
 Unless otherwise specified. FRACTIONS 0.20 /  $\pm .008''$   
 ANGLES  $\pm 1/2^\circ$

NO.	ALTERATION	DATE	BY	APP'D



**Stimpson**  
CO. INC.

1515 SW 13TH CT POMPANO BEACH, FL 33069

PART NAME: SOCKET

MATERIAL: 304 STAINLESS STEEL SIZE: 0.38/.015"

SCALE: 4:1 DEPT: MERCH.

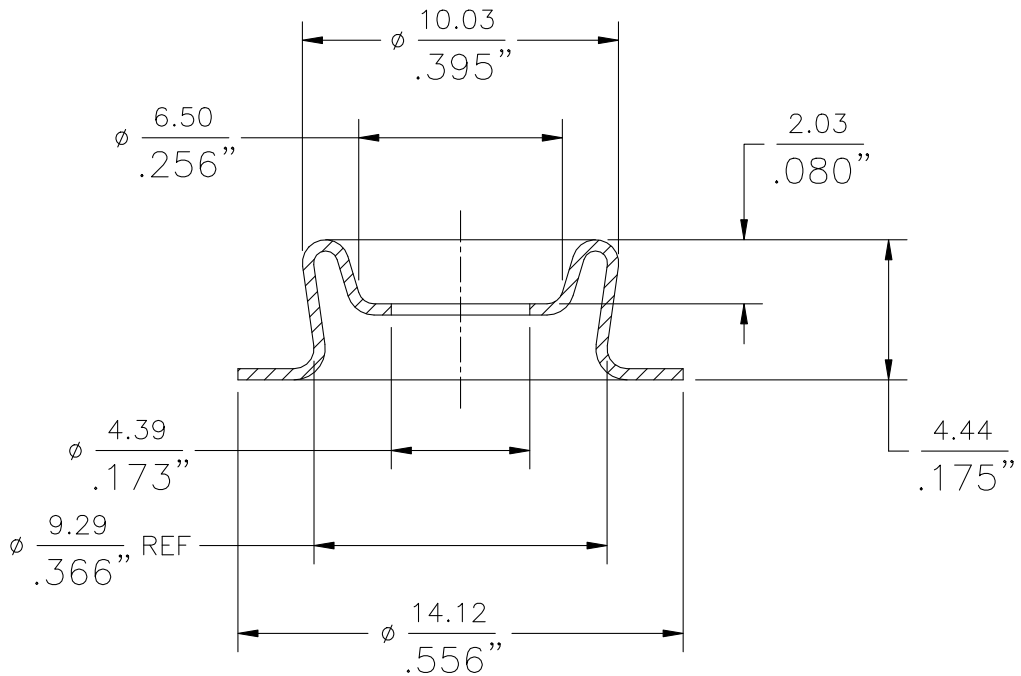
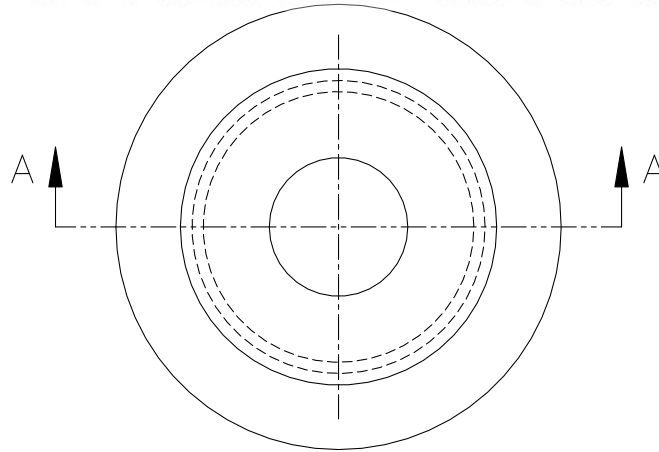
DRAWN: L.TOLENTINO	CHECKED: B.T.	APP'D: J.C.
DATE: 11.27.17	DATE: 11.28.17	DATE: 11.28.17

PART No. SS0201

Remarks

PDC	03-32
SURFACE AREA	

PRINTED COPIES ARE UNCONTROLLED



SECTION A-A

MILLIMETER / INCH ; MILLIMETER / INCH  
INCH

TOLERANCES: -DECIMALS 0.13 /  $\pm .005$ "  
Unless otherwise specified. FRACTIONS 0.20 /  $\pm .008$ "  
ANGLES  $\pm 1/2^\circ$

NO.	ALTERATION	DATE	BY	APP'D



**Stimpson**  
CO. INC.



1515 SW 13TH CT POMPANO BEACH, FL 33069

PART NAME: STUD

MATERIAL: 304 STAINLESS STEEL SIZE: 0.35/.014"

SCALE: 4:1

DEPT: MERCH.

DRAWN: L.TOLENTINO

CHECKED: B.T.

APP'D: J.C.

DATE: 11.27.17

DATE: 11.28.17

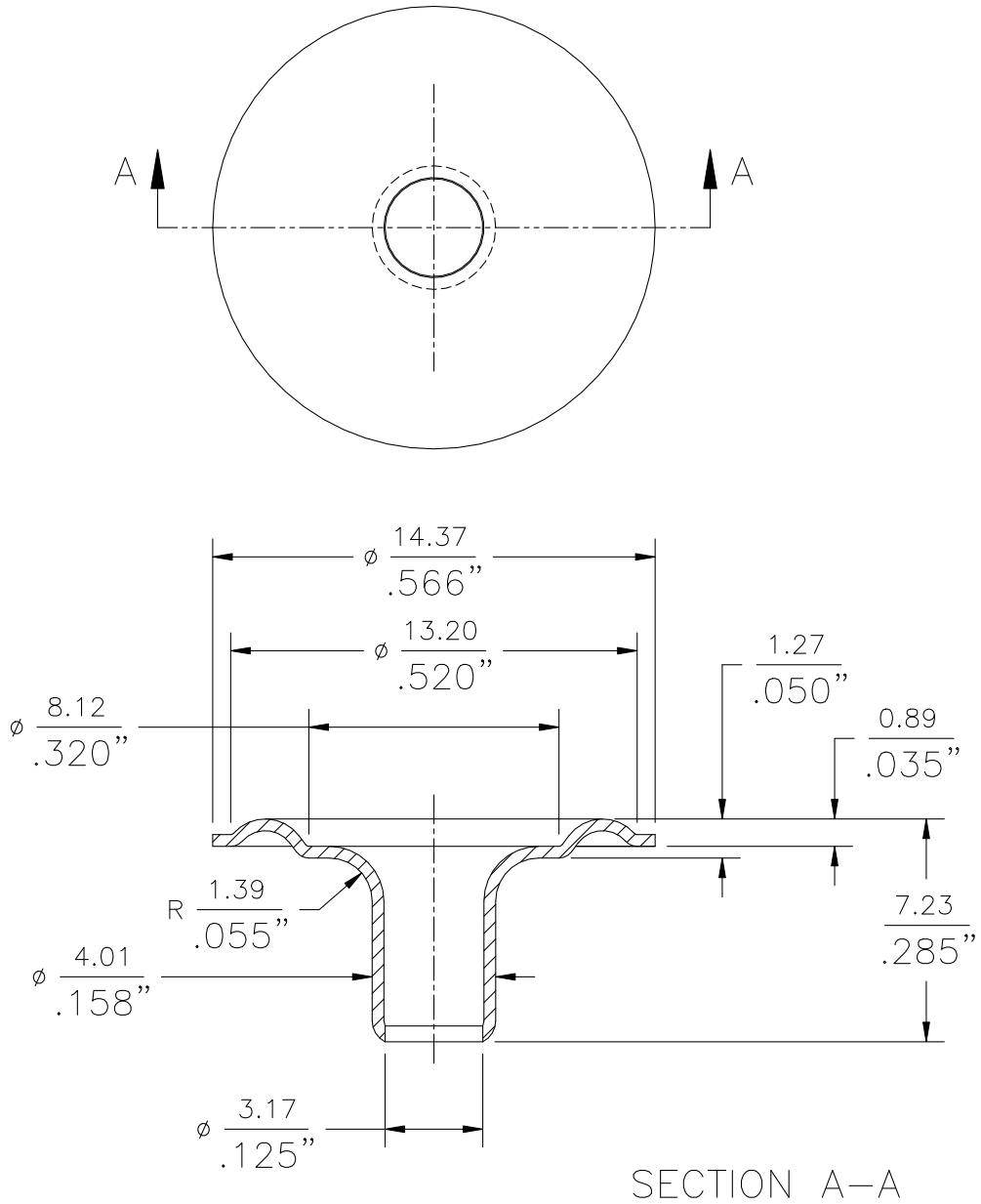
DATE: 11.28.17

PART No. SST202

Remarks

PDC	03-33
SURFACE AREA	

PRINTED COPIES ARE UNCONTROLLED



MILLIMETER / INCH ; MILLIMETER / INCH  
INCH

TOLERANCES: -DECIMALS 0.13 / ±.005"  
Unless otherwise specified. FRACTIONS 0.20 / ±.008"  
ANGLES ±1/2°

NO.	ALTERATION	DATE	BY	APP'D



**Stimpson**  
CO. INC.



1515 SW 13TH CT POMPANO BEACH, FL 33069

PART NAME: POST  
MATERIAL: 304 STAINLESS STEEL SIZE: 0.38/.015"  
SCALE: 4:1 DEPT: MERCH.

DRAWN: L.TOLENTINO  
DATE: 11.27.17

CHECKED: B.T.  
DATE: 11.28.17

APP'D: J.C.  
DATE: 11.28.17

PART No. SP0203